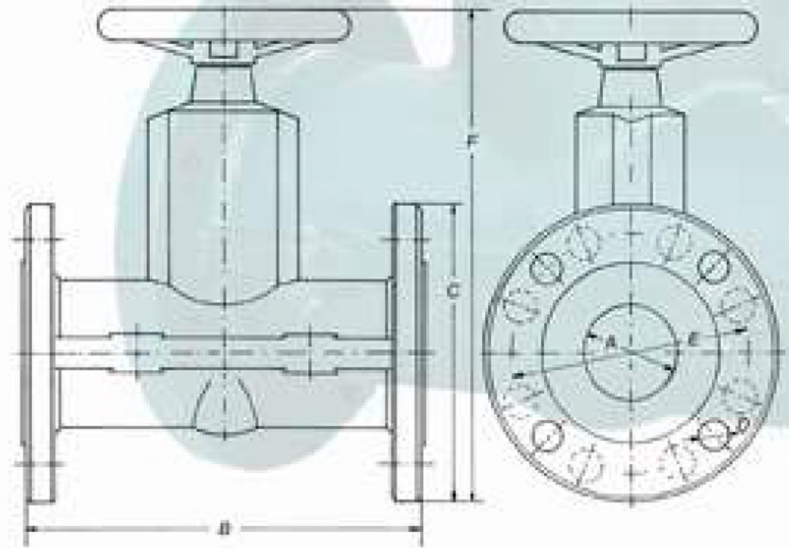
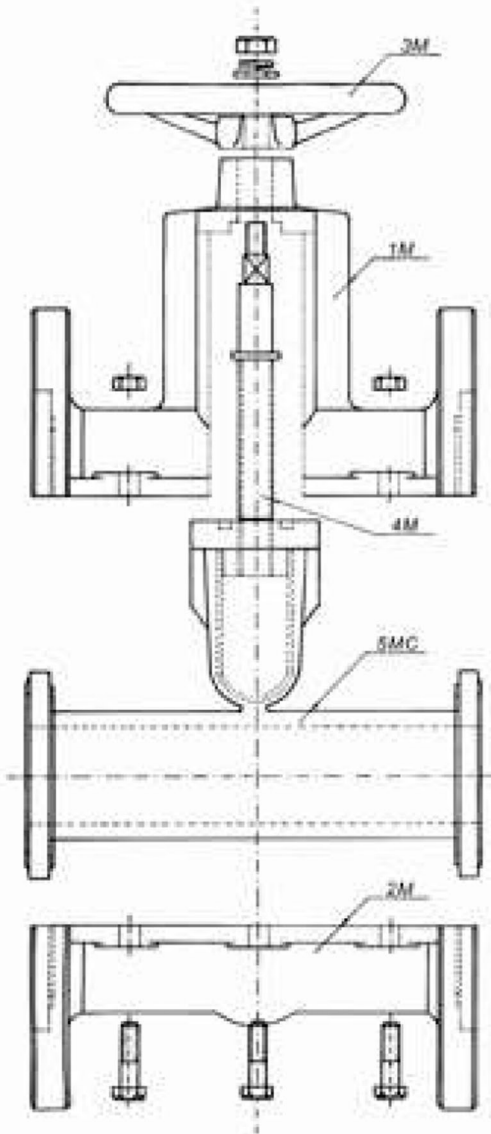


Despiece válvula Agar manual: (Agar manual valve components)

- **1M:** Carcasa superior. - Upper iron cast body.
- **2M:** Carcasa inferior. - Lower iron cast body.
- **3M:** Volante. - Handwheel.
- **4M:** Husillo. - Spindle.
- **5MC:** Manguito de caucho. - Rubber sleeve.



(Bridas/ Flanges: DIN 2502 / 2576)

Paso nominal (Nominal diameter)	-A-	20	25	32	40	50	65	80	100	125	150	200
Longitud (Length)	-B-	105	120	140	160	190	235	280	340	420	490	680
Ø de bridas (Ø flanges)	-C-	105	115	140	150	165	185	200	220	250	285	340
Nº de taladros (Number of drills)		4	4	4	4	4	4	8	8	8	8	8
Ø de taladros (Ø drillings)	-D-	14	14	18	18	18	18	18	18	18	20	23
Ø entre taladros (Ø between drillings)	-E-	75	85	100	110	125	145	160	180	210	240	295
Altura (Height)	-F-	145	175	200	230	270	320	375	420	495	570	710
Presión de trabajo (Working pressure)	Kg/Cm²	14	14	12	12	10	10	8	8	6	6	4